

Intelligent digital pressure gauge series ODi-3G

Battery powered
digital pressure gauge
with 4.5 digit LCD display

General features

- LC Display 4.5 digit on white backlight
- LCD showing the pressure accurately in real time
- Battery operated digital manometer
- Battery life > 12 months, low-power design
- Zero clearing function
- Pressure percentage display
- Various pressure units available such as KPa, PSI, Kg/cm², bar and MPa
- Functions for backlight, "on/off", zero point correction, change units

Application area

- Hydraulics, pneumatics, water and wastewater technology and plant & mechanical engineering.
- Machinery and electronic industry
- Supporting equipment of instruments and meters
- Pressure laboratory
- Mechanical engineering automation

General specification

Dial size

65mm

Pressure ranges

-1...0 bar to 0...250 bar

Accuracy class

1.0% of F.S

Long-term stability

Typical: ±0.2% FS

Temperature

operating temperature ranges

-10...+70 °C

compensation temperature

18...+30 °C

Electrical protection

EN61326

Material of pressure sensor

Ceramic

Material of seals

NBR < 60 bar, FKM ≥ 60 bar



Intelligent digital pressure gauge, series ODi-3G

Material of case / connection

SUS 304, corresponds to 1.4301

Measuring rate

2 times / sec

Overload capacity

150%

Measuring medium

Gas, water, oil and the VA alloys

Do not attack and highly viscous are not allowed.

Power supply

AAA battery x 2

Battery life

2400 hours

Degree of protection

IP 50 (IP54 with protection sleeve)

Process connection

PF 1/4", NPT1/4"

Weight

Approx. 300 g



DAHO Tronic Limited

Tel: 02-865-7001 Fax: 02-865-7109

mail: info@daho.co.kr

STX W-Tower 209

Gyeongin-ro 53 Gil 90 Guro-gu

Seoul 08215 Korea

www.daho.co.kr

Ordering information

Model code

ODI — 3G — [] — []

Process connection

G4 : G1/4"

N4 : NPT1/4"

XX : others on request

Pressure range

Refer to pressure range table

Pressure range code, unit bar

Code	Range	in Stock
R19	-1...0	
R26	0...1.6	
R28	0...2.5	
R30	0...4	
R32	0...6	
R33	0...10	
R35	0...16	○
R37	0...25	
R39	0...40	○
R41	0...60	
R43	0...100	○
R45	0...160	
R47	0...250	○

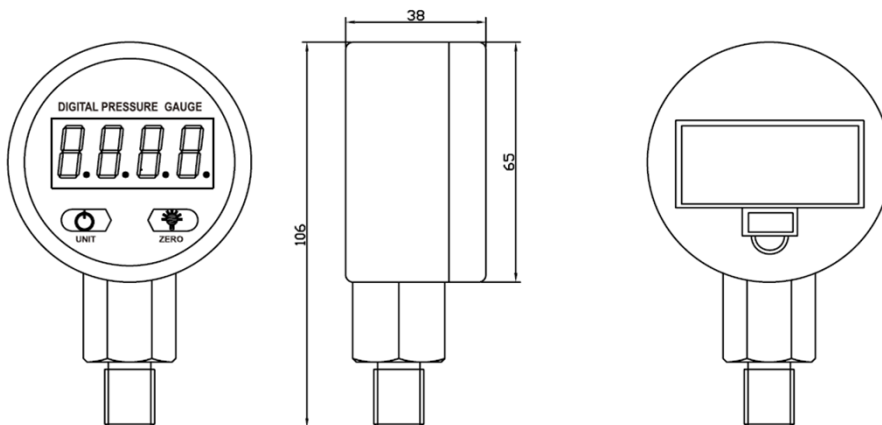
How to order

ODI3G-G4-R39

ODi-3G, 65mm, G1/4", 0...40 bar

Outline drawing

ODi-3G



DAHO

Daho Tronic Ltd.

STX W-Tower 209

Gyeongin-ro 53Gil 90 Guro-gu

Seoul 08215 Korea

Tel: +82 2 865-7001 Fax: +82 2 865-7109

info@daho.co.kr

www.daho.co.kr