

Flush Diaphragm Seal with Thread model CDS.21

st. steel body & st. steel diaphragm
assembled with MAX series & MBX series
dry or Glycerine / Silicon liquid filled.
assembled with pressure transmitters EDA.370

General features

- Flush mounted separating diaphragm of st. steel or any special material.
- Nominal pressure up to 400 bar
- System fillings for different applications
- Measuring device connection with capillary

Application area

- Food industry, Pharmaceutical industry, Biotechnology.
- Oxygen free of oil and grease
- Negative pressure and vacuum service
- Corrosion-protective covering with Teflon coated
- Available with a wide range of pressure gauges and pressure transmitters.

General specification

Assembled with pressure gauges with MAX & MBX.

All stainless steel pressure gauges, MAX

MAX.51x, 100mm

MAX.41x, 80mm

MAX.31x, 63mm

Wetted parts of brass, MBX

MBX.51x, 100mm

MBX.31x, 63mm

Assembled with pressure transmitters

EDA.370 & EDA.371

EDN.71x series

EDN.81x series

Accuracy class

Pressure gauges

MAX.51x / Class 1.0 per EN 837-1

MAX.41x / Class 1.6 per EN 837-1

MAX.31x / Class 1.6 per EN 837-1

MBX.51x / Class 1.0 per EN 837-1

MBX.31x / Class 1.6 per EN 837-1

Pressure gauges

EDA.370 / class 1.0 F.S

EDA.371 / class 1.0 F.S

Pressure ranges

-1...0 to 400 bar

Normal pressure

PN 400



Flush Diaphragm Seal, series CDS.21

Temperature resistance

Medium temperature max. +250°C

Material of

Body

st. steel 316L

Diaphragm

st. steel, 316L

[option]

Teflon coated on diaphragm

Process connection

- Design / Weight Screw-in thread per DIN 3852
G 1/2 A approx. 100 g
Others on request

- Assembled with capillary
- connected with screw-in thread adapter.

- Assembled with cooling device 200°C / 300°C
- connected with screw-in thread adapter.



DAHO Tronic Limited

Tel: 02-865-7001 Fax: 02-865-7109

mail: info@daho.co.kr

STX W-Tower 209

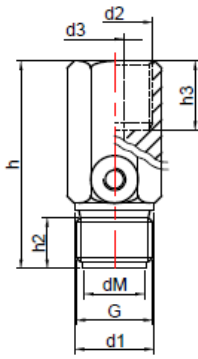
Gyeongin-ro 53 Gil 90 Guro-gu

Seoul 08215 Korea

www.daho.co.kr

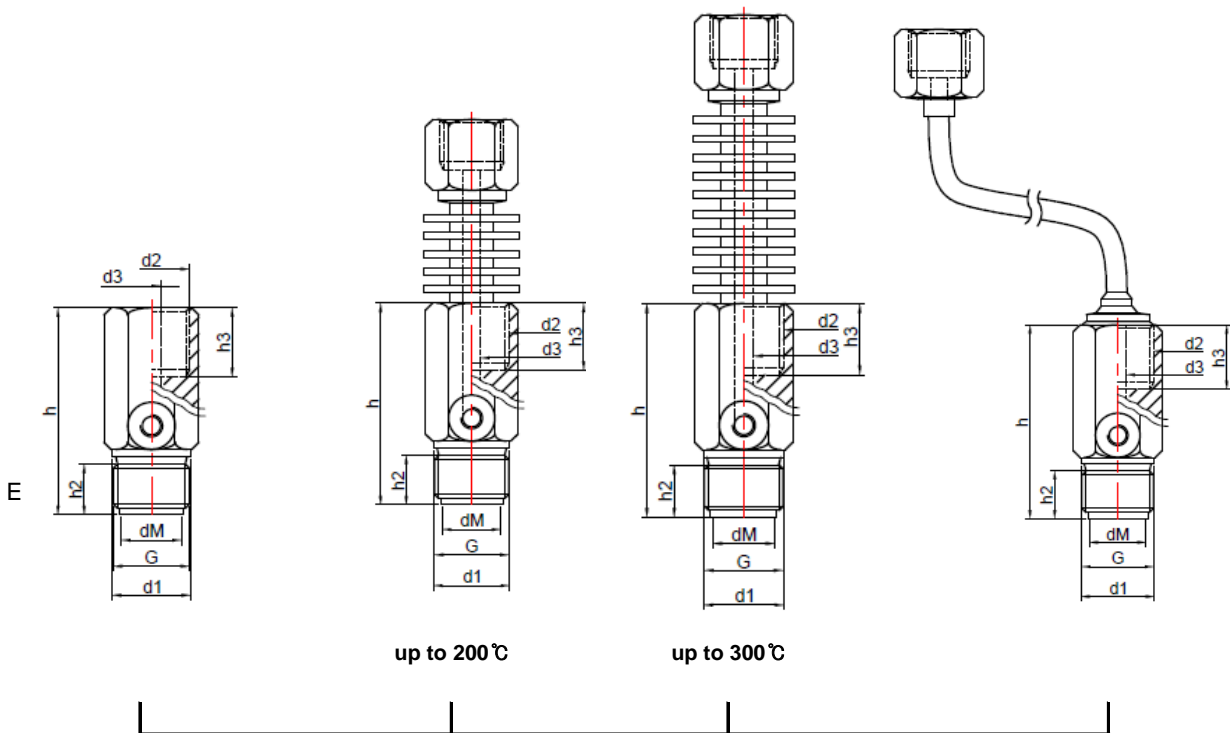
Dimension in mm

■ For screw-in thread per DIN 3852



Dimensions screw-in thread per DIN 3852						
G	d	dM	h	h2	A/F	PN
G 1/2 A	26	17.5	55	14	27	400
G 3/4 A	32	22.6	57	16	32	400
G 1 A	39	27	59	18	41	400
G 1 1/2 A	55	40	61	22	55	250
G 2 A	68	51	64	24	70	250

Measuring device connection



Directly screwed
Code: CDS.21.G2.

Assembled with cooling device
Code: CDS.21.G2.AC40.. Code: CDS.21.G2.AC41..

Capillary with connection screwed
Code: CDS.21.G2.M8..
Code: CDS.21.G2.M9..

Ordering information

Model code

CDS.21 · [] · [] · [] · []

Kinds of thread

G2	G 1/2" A
XX	Other on request

Mounting method

M1	Direct mounting with instrument
AC40	Direct mounting with cooling device 200 °C
AC41	Direct mounting with cooling device 300 °C
M8	Capillary with SUS protection
M9	Capillary with SUS protection & PVC sheath

Kinds of liquid for calibration

GL	Glycerin
SI	Silicon
VO	Vegitable oil
HT	High Temperature oil

Code	Description
2C	Standard capillary length 2m + thread adapter
99L	Extra capillary length
TC	Teflon coated on flush diaphragm
NO	"USE No OIL" for wetted parts
TP	St. steel tag plate, 60 x 20 x 0.5t
DMCC	Manufacture calibration certificate
KC	KOLAS Ilac-MRA calibration certificate
CC	Certificate of conformance / origin

DAHO

Daho Tronic Ltd.

STX W-Tower 209

Gyeongin-ro 53Gil 90 Guro-gu

Seoul 08215 Korea

Tel: +82 2 865-7001 Fax: +82 2 865-7109

info@daho.co.kr

www.daho.co.kr