

Intelligent digital pressure gauge series ODi-5HP

Digital precision pressure gauge
with high-precision

General features

- 5 digits display, main & sub-screen dial screen design
- 10 units are available
- Low power design, AA battery x 3
- Product certificated : CE, Explosion certi. Exib IICT4
- Connection material, 304SS
- High precision, 0.1% or 0.05%
- Output signal RS485

Application area

- Machinery and electronic industry
- Supporting equipment of instruments and meters
- Pressure laboratory
- Mechanical engineering automation

General specification

Size

100 mm

Pressure ranges

-1...0 to 0...600 bar

Accuracy class

Accuracy 0.05% of F.S

Temperature

operating temperature ranges

-5...+40°C

compensation temp.

0...+40°C

Degree of protection

IP 50 (IP54 with protection sleeve)

Electric protection

Anti-electro magnetic interference

Output signal (Option)

RS 485



Intelligent digital pressure gauge, series ODi-5HP

Overload capacity

150% > 100 bar, 200% ≤ 100 bar

Process connection

Material : 304SS

PF 1/2"

Others customized

Sampling frequency

1~10 times / sec

Power supply

AA battery x 3 / USB supply

Product Certificate

CE, Exib IICT4

Function

Power On/Off

Backlight

Clear

Unit switch

Extreme value display

Weight

Approx. 360 g



DAHO Tronic Limited

Tel: 02-865-7001 Fax: 02-865-7109

mail: info@daho.co.kr

STX W-Tower 209

Gyeongin-ro 53 Gil 90 Guro-gu

Seoul 08215 Korea

www.daho.co.kr

Ordering information

Model code

ODIP — 5HP — — — — —

Analog output

O0 : None
O9 : RS485

Electrical connection

E0 : LCD with USB

Option

EX : Ex-proof

Pressure range

Refer to pressure range table

Process connection

G2 : PF 1/2"
N2 : NPT 1/2"
M20 : M20 x 1.5

Pressure range code, unit bar

| Code | Range | Code | Range | Code | Range |
|------|---------|------|----------|------|-----------------|
| R19 | -1...0 | R41 | 0...60 | R16 | -1...1 |
| R23 | 0...1 | R43 | 0...100 | R08 | -1...10 |
| R26 | 0...1.6 | R45 | 0...160 | R04 | -1...25 |
| R28 | 0...2.5 | R47 | 0...250 | R129 | 0...50 mbar |
| R30 | 0...4 | R50 | 0...400 | R131 | 0...100 mbar |
| R32 | 0...6 | R53 | 0...600 | R135 | 0...250 mbar |
| R33 | 0...10 | R55 | 0...1000 | R138 | 0...500 mbar |
| R35 | 0...16 | | | R106 | -50...50 mbar |
| R37 | 0...25 | | | R116 | -100...100 mbar |
| R39 | 0...40 | | | R122 | -500...500 mbar |

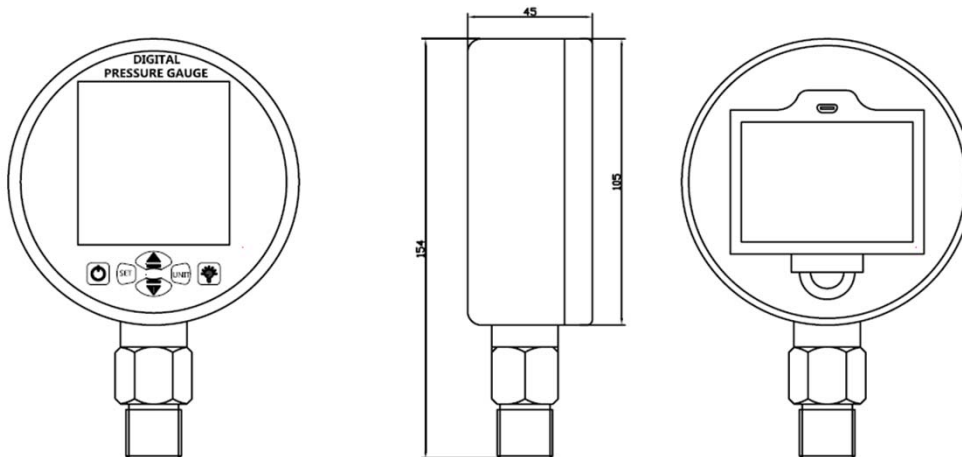
How to order

ODi-5HP-O9-E9-G2-R39

ODi-5HP, 100mm, RS485, LCD display with USB, PF1/2", 0...40 bar

Outline drawing

ODi-5HP



DAHO

Daho Tronic Ltd.

STX W-Tower 209

Gyeongin-ro 53Gil 90 Guro-gu

Seoul 08215 Korea

Tel: +82 2 865-7001 Fax: +82 2 865-7109

info@daho.co.kr

www.daho.co.kr