

**Pressure accessory,  
Overpressure protector  
Product code AC32**

**Pressure measuring system accessory,  
Pressure gauge overrange protector  
and made of stainless steel**

**General features**

- Protect pressure gauges against maximum pressure
- Made of stainless steel.
- MAX. Pressure 250 bar
- Apply for general plant constructions, power plant, mining and environmental tech.

**Application area**

- The pressure gauge overrange protector serves as fuse against occurring overpressures that exceed the pressure range of the pressure gauges. It allows for a cascading activation of several pressure gauges with varying pressure ranges so that with a large pressure

**General specification**

**Setting Range**

- 0.4...2.5 bar
- 2...6 bar
- 5...25 bar
- 20...60 bar
- 50...250 bar

**Material**

Stainless steel, SUS 316

**Connection**

- Gauge Connection / female : G1/2"(F)
- Process Connection / male : G1/2"(M)

**Accuracy**

±10% in normal operation (FS 5~10%내 외)

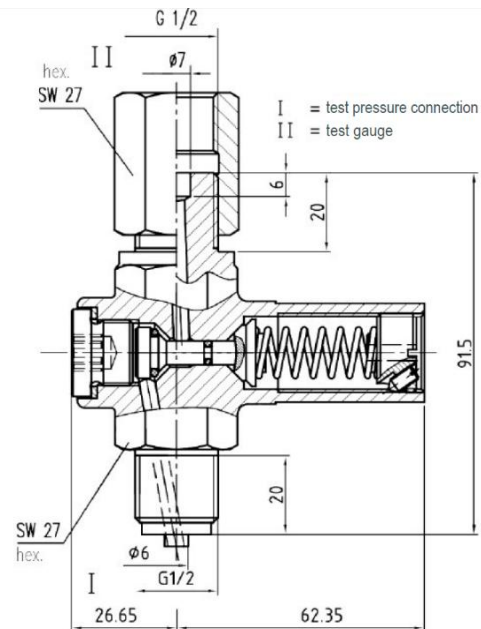
**MAX. Static Pressure**

up to 250 bar



**Condensate port, product code AC32**

**Drawing**



**DAHO Tronic Limited**

Tel: 02-865-7001 Fax: 02-865-7109

mail: info@daho.co.kr

STX W-Tower 209

Gyeongin-ro 53 Gil 90 Guro-gu

Seoul 08215 Korea

[www.daho.co.kr](http://www.daho.co.kr)