

Low pressure gauges with chemical seals series MLD

Diaphragm without liquid filling
St. steel case & Diaphragm

General features

- All st. steel pressure gauges
- Measuring dry type diaphragm
- Pressure ranges from 0...25 mbar to 0...25 bar
- Accuracy class 1.6
- Degree of Protection IP 65

Application area

- Dry type diaphragm low pressure gauge, measuring low pressure, designed for difficult media, such as aggressive contaminated or viscous liquids and gases.
- Machinery construction, Chemical and petrochemical industry, General process technology, Water / wastewater, Power plants, Mining, On/offshore, and general plant construction

General specification

Size

100mm, 160 mm

Pressure ranges

Low scale ranges from 0...25 mbar

Accuracy class

Class 1.6 per EN 837-1

Temperature

ambient and storage temperature -20...+60 °C
max. medium +100 °C

Overpressure

130% full scale value

Temperature influence

max. ±0.8% / 10K of measuring span per EN 837-3

Upper measuring Flange

flange Ø160 mm under 250 mbar
flange Ø100 mm at 400 mbar

Degree of protection (DIN EN 60 529/IEC 529)

IP 65

Case and bezel ring

stainless steel bayonet ring
blow-out back 1" plug (case dry type) or
top of case plug (case filling type)

Type of mounting

Bottom connection



Low Pressure Gauge with chemical seal series MLD

Process Connection

Stainless steel 316
thread type G1/2B, PT1/2", NPT1/2", flange type "I" shape

Movement

St. steel

Material of wetted parts incl. diaphragm

Stainless steel 316L

Flange diameter

measuring flange dia. 100 mm
0...250mbar to 0...25 bar
-250 mbar...0 bar to -1...24 bar
measuring range dia. 160 mm
0...25 mbar to 0...160 mbar
-25 mbar to -160...0 mbar

Diaphragm housing

Upper flange stainless steel 304
Lower flange stainless steel 316

Dial

Aluminium, white

Pointer

Aluminium, black

Window

Instrument safety glass

Option

case filling 85% - glycerin / water mixture



DAHO Tronic Limited

Tel: 02-865-7001 Fax: 02-865-7109
mail: info@daho.co.kr

STX W-Tower 209
Gyeongin-ro 53 Gil 90 Guro-gu
Seoul 08215 Korea

www.daho.co.kr

Options

- Other process connections upon request
thread type, 3/4", 1"
- Wetted parts supplies various protection foils and special materials
PTFE, PFA, Monel, Hastelloy, Tantalum etc.
- Extended temperature range
ambient temperature and max. medium temperautre
- Accuracy class 1.0 upon request
not available low range under 160 mbar and protection foil type



DAHO Tronic Limited
Tel: 02-865-7001 Fax: 02-865-7109
mail: info@daho.co.kr

STX W-Tower 209
Gyeongin-ro 53 Gil 90 Guro-gu
Seoul 08215 Korea

Ordering information

Model code **MLD** · [] · [] · [] · [] · **B** · []

Dial size

5 : 100 mm

Mounting

1 : Bottom Connection

Liquid filling

0 : Dry

3 : Glycerine+water mixture

Process connection

G2 : PF 1/2"

R2 : PT 1/2"

N2 : NPT 1/2"

R2 : PT 1/2"

ZZ : Flange,

Refer to flange rating table

Material of diaphragm

A	st. steel, 316L
H	Hastelloy C 276
M	Monel
T	Tantal
E	PTFE
C	PFA coating

■ Flange dia. 100mm

Code	Range
135	0...250 mbar
137	0...400 mbar
21	0...600 mbar
23	0...1 bar
26	0...1.6 bar
28	0...2.5 bar
30	0...4 bar
32	0...6 bar
33	0...10 bar
35	0...16 bar
37	0...25 bar
109	-250... 0 mbar
108	-400... 0 mbar
107	-600... 0 mbar
19	-1... 0 bar
17	-1... 0.6 bar
15	-1... 1.5 bar
13	-1... 3 bar
11	-1... 5 bar
09	-1... 9 bar
07	-1... 15 bar
05	-1... 24 bar

■ Flange dia. 160mm

Code	Range
126	0...25 mbar
128	0...40 mbar
130	0...60 mbar
131	0...100 mbar
133	0...160 mbar
115	-25...0 mbar
114	-40...0 mbar
113	-60...0 mbar
112	-100...0 mbar
111	-160...0 mbar

Option code

Code	Description
ND	New dial design
NF	New dial face printing cost per pcs
GM	Green marking per pcs
CD	New dial face design with company logo
RS	Restrictor screw in socket hole for high pulsation
UC	U-calmp for back connection, steel
NO	"USE No OIL" per pcs, at least ≥ 10 pcs
OF	Oval 3-hole front flange
MP	Maximum pointer
BB	Bayonet bezel ring for MBX5
TP	St. stell tag plate, 60 x 20 x 0.5t
R	Reed switch
SN	Snubber
AD	Adaptor
CC	Certificate of conformance / orign
PM	2" Pipe mounting bracket
NC	Ni-Cr Plate
AL	Aluminium pointer for MBX3
MC	Manufacture calibration certificate
KC	KOLAS Ilac-MRA calibration certificate

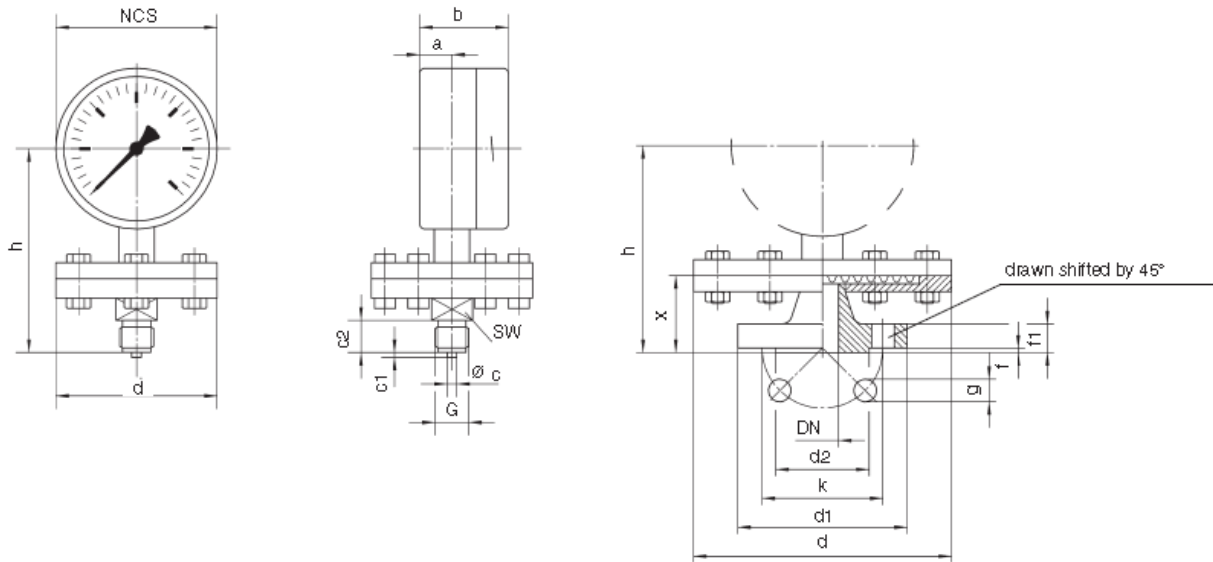
How to Order

MLD.510.G2BR137A.GM

MLD.510, 100mm, Cl. 1.6%of FS, Bottom Connection, Dry, G1/2", 0...400 mbar, st.steel 316L, Green marking

IDAHO

Outline drawing



Dimension (mm)

	d	NCS	h	b	SW
MLD.5xx	100	100	127	55	22
	160				



Daho Tronic Ltd.
 STX W-Tower 209
 Gyeongin-ro 53Gil 90 Guro-gu
 Seoul 08215 Korea
 Tel: +82 2 865-7001 Fax: +82 2 865-7109
 info@daho.co.kr
 www.daho.co.kr