

Pressure gauge for general industries series MBXK

Glycerine / Silicon liquid filled
St. steel case & wetted parts brass

General features

- Pressure ranges from -1...0 bar to 0...1000 bar
- Accuracy class 1.6
- Case - stainless steel
- Sensing element & connection - brass
- German movement & sensing elements

Application area

- series MBX is suitable for use in various sectors of industry
- High quality design for measuring gaseous, liquid
- For gaseous and liquid media which are not highly viscous, do not crystallise and do not attack copper alloy
- For measurements in areas with high vibration levels and high, dynamic pressure loads.

General specification

Size

MBX3 : 63 mm
MBX5 : 100 mm

Design

ASME B40.100 & EN 837-1

Pressure range

-1...0 to 0...1000 bar

Accuracy class

MBX3 : Class 1.6% per EN 837-1
MBX5 : Class 1.0% per EN 837-1

Pressure ranges

Vacuum & compound range:
-1...0 to 0...1000 bar up to -1 to 16 bar

Working pressure

MBX3 :

- Steady: 3/4 full-scale value
- Fluctuating: 2/3 full-scale value
- Short time: full-scale value

MBX5 :

- Steady: full-scale value
- Fluctuating: 0.9 x full-scale value
- Short time: 1.3 x full scale value



Bourdon tube pressure gauge with liquid filled, series MBX

Bourdon Tube

Brass \leq 600bar
St. steel \geq 1000 bar

Movement

Brass

Dial

MBX3 : White ABS
MBX5 : White aluminium

Pointer

Black plastic

Window

Polycarbonate with Buna-N gasket

Case and bezel ring

St. steel 304, case

St. steel 304, crimped-on bezel ring
with blow-out disc at the top of the case
Case connection sealed with band-ring

- 63 mm : Rubber for Glycerine filled
 Viton band-ring
 for silicone oil filled

- 100 mm : EPDM O-ring
 for glycerine / silicone case fill
 Vito O-ring
 for Halocarbon / fluorolube fill

Case filling

glycerine 85%



DAHO Tronic Limited

Tel: 02-865-7001 Fax: 02-865-7109

mail: info@daho.co.kr

STX W-Tower 209

Gyeongin-ro 53 Gil 90 Guro-gu

Seoul 08215 Korea

www.daho.co.kr

Temperature

Ambient: -40...+60 °C / dry
-20...+60 °C / glycerine filled
-40...+60 °C / silicon oil filled / Option
Medium: max. +60 °C
Storage: -20...+60 °C

Process Connection

Material: Copper alloy
MBX3 : PF 1/4", PT 1/4", 7/16"-20 UNF male
MBX5 : PF 1/2", PT 1/2", PF 3/8", PF 3/8"

Degree of protection

IP 65

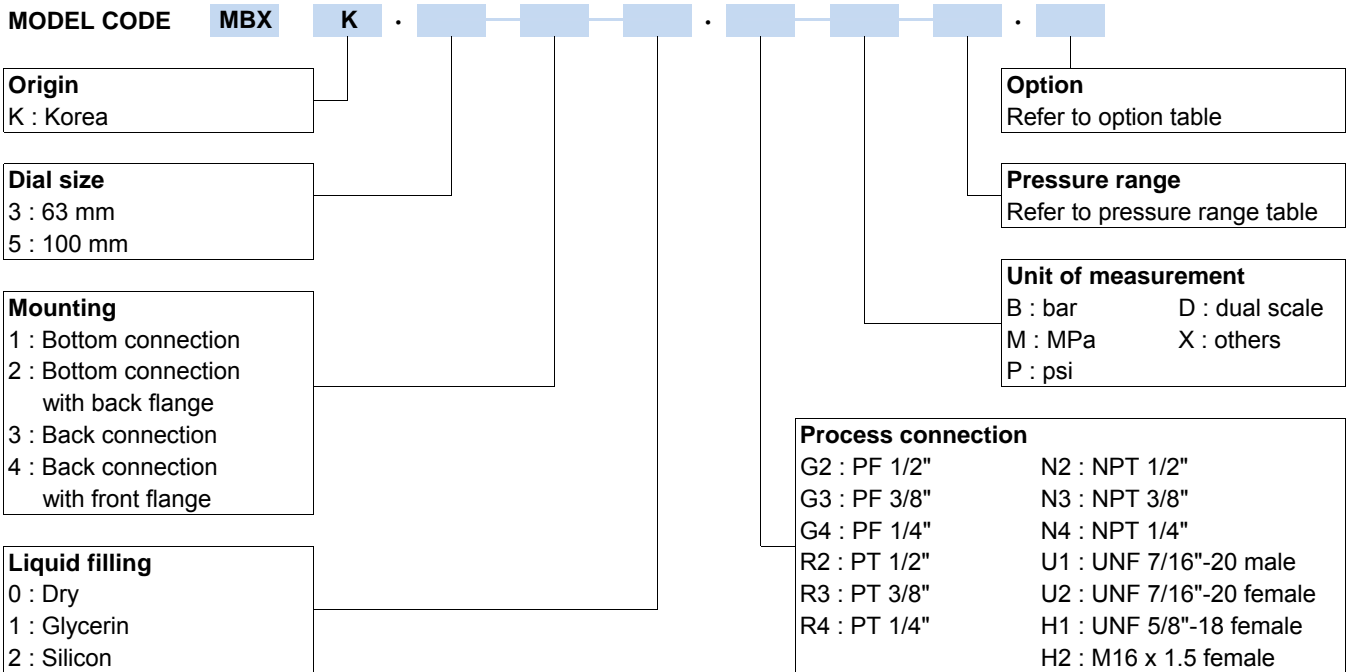
Type of mounting

Type A : Bottom connection
Type B : Bottom connection with back flange
Type D : Center back connection - CBM
Type BD : Center back connection with front flange

General specification

- Increased medium temperature with special soft solder
 - MBX3 : 100 °C
 - MBX5 : 150 °C
- Ambient temperature resistant -40...+60 °C with silicone oil filling
- NS 50: Higher scale ranges up to 0...1,000 bar
- Brass restrictor for small hole
- Zinc-plated steel or SS U-clamp brack / field installable
- Green marking depends on customer design
- Mounting clamp for back connection
- Other pressure scale available

Ordering information



Pressure range code, unit bar

Code	Range	Code	Range	Code	Range	Code	Range
R05	-1...24	R19	-1...0	R33	0...10	R47	0...250
R06	-1...20	R20	-0.6...0	R34	0...15	R48	0...300
R07	-1...15	R21	0...0.6	R35	0...16	R49	0...350
R08	-1...10	R22	0...0.8	R36	0...20	R50	0...400
R09	-1...9	R23	0...1	R37	0...25	R51	0...450
R10	-1...6	R24	0...1.2	R38	0...35	R52	0...500
R11	-1...5	R25	0...1.5	R39	0...40	R53	0...600
R12	-1...4	R26	0...1.6	R40	0...50	R54	0...700
R13	-1...3	R27	0...2	R41	0...60	R55	0...1000
R14	-1...2	R28	0...2.5	R42	0...70	RYY	Others
R15	-1...1.5	R29	0...3	R43	0...100		
R16	-1...1	R30	0...4	R44	0...150		
R17	-1...0.6	R31	0...5	R45	0...160		
R18	-1...0.25	R32	0...6	R46	0...200		

Option code

Code	Description	Code	Description
ND	New dial design	TP	St. stell tag plate, 60 x 20 x 0.5t
NF	New dial face printing cost per pcs	MC	Manufacture calibration certificate
GM	Green marking per pcs	KC	KOLAS Ilac-MRA calibration certificate
CD	New dial face design with company logo	R	Reed switch
RS	Restrictor screw in socket hole for high pulsation	SN	Snubber
UC	U-calmp for back connection, steel	AD	Adaptor
NO	"USE No OIL" per pcs, at least ≥ 10 pcs	CC	Certificate of conformance / orign
OF	Oval 3-hole front flange	PM	2" Pipe mounting bracket
MP	Maximum pointer	NC	Ni-Cr Plate
BB	Bayonet bezel ring for MBX5	AL	Aluminium pointer for MBX3

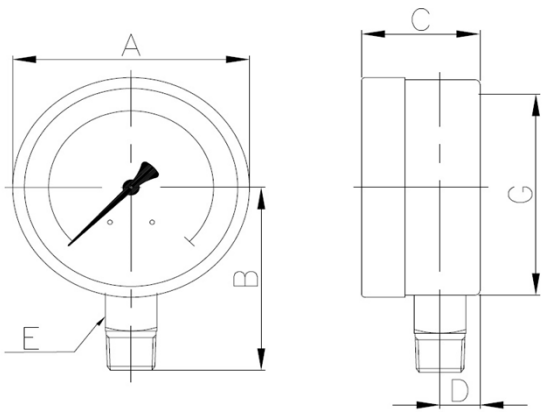
How to order

MBXK.510.G2DR40.GM

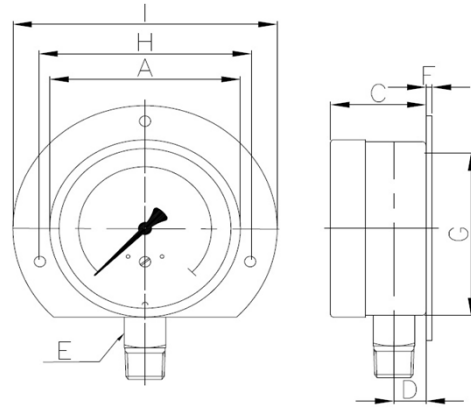
MBXK, 100mm, A-type, Dry, PF 1/2", 0...25 bar/MPa, Green marking(custom)

Outline drawing

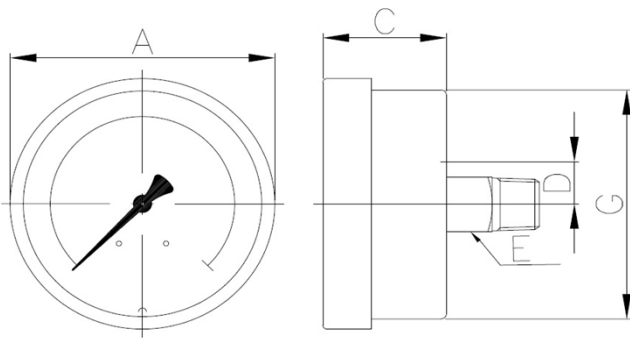
A : Bottom Connection



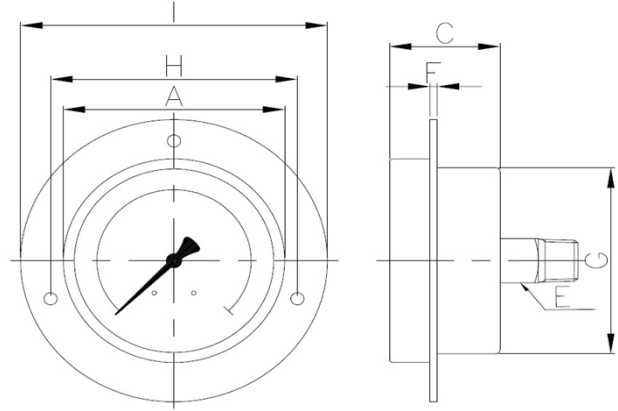
B : Bottom Conn't with Back Flange



D : Back Connection



BD : Back Conn't with Front Flange



Dimension (mm)

Series MBX	A	B	C	D	E	F	G	H	I
MBXK3	68	57	32	11	14	2	62	75	85
MBXK5	100	87	48	16	22	2	100	116	132



Daho Tronic Ltd.

STX W-Tower 209

Gyeongin-ro 53Gil 90 Guro-gu

Seoul 08215 Korea

Tel: +82 2 865-7001 Fax: +82 2 865-7109

info@daho.co.kr

www.daho.co.kr